

**Models 72902, 72902-0, 72902-2, 72903**  
**Micro SMD Grabber Test Clips, Holding Rod and Kit**



**Features**

- Kit includes: 12 grabbers (2 of each color) Black (72902-0), red (72902-2), yellow, green, blue and white.
- 6 black holding rods to reinforce connection positions during side-by-side measurements. model (72903)
- 12 black micro leads with 0.8mm female / 0.8mm male connectors
- **Grabbers are designed for easy attachment to SMD chips with pitches down to 0.008" (0.20 mm)**
- Thin yet durable design permits attachment with close spacing in tight areas. Insulated tip minimizes shorting on adjacent pins
- Gold plating for low resistance connections.

**Rating:** *hands free testing* in controlled environment: 70 Vrms max. For CE compliance: Not intended for hand-held use at voltages above 33Vrms/70Vdc

**Ordering Information**

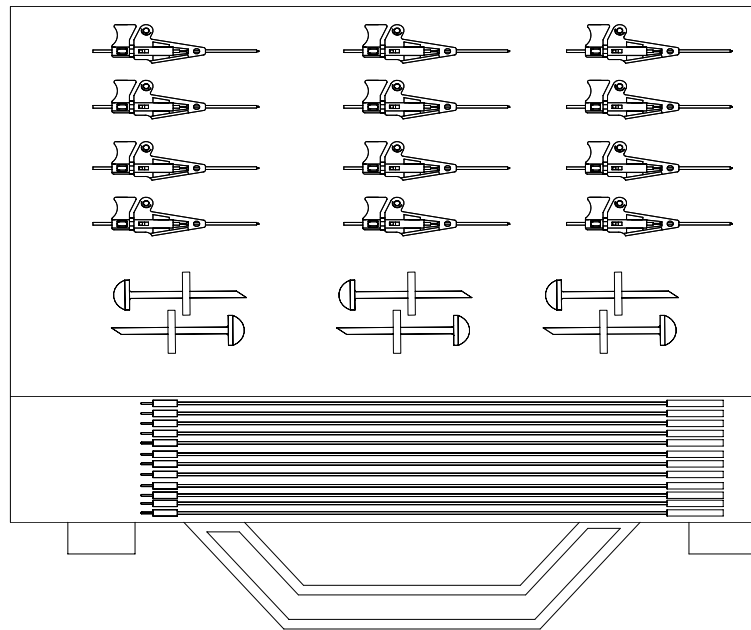
Model: 72902 Kit pictured above  
 Model: 72902-Color Grabber pictured on page 2  
 Available Colors: -0 (Black), -2 (red)  
 Model: 72903 Holding Rods

**USA:** Sales: 800-490-2361 Technical Support: 800-241-2060 Fax: 888-403-3360

**Europe:** 31-(0) 40 2675 150 **International:** 425-446-5500

**e-mail:** [technicalsupport@pomonatest.com](mailto:technicalsupport@pomonatest.com)

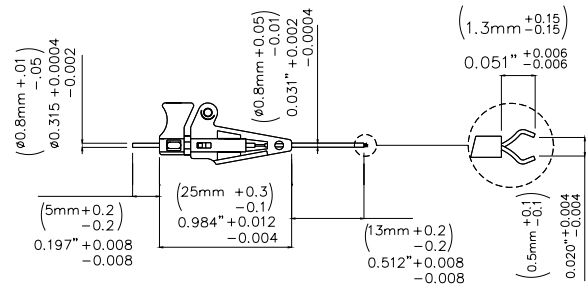
**Where to Buy:** [www.pomonaelectronics.com](http://www.pomonaelectronics.com)



Model 72902

All dimensions are in inches. Tolerances (except noted): .xx = ±.02" (.51 mm), .xxx = ±.005" (.127 mm). All specifications are to the latest revisions. Specifications are subject to change without notice. Registered trademarks are the property of their respective companies.

**Models 72902, 72902-0, 72902-2, 72903  
Micro SMD Grabber Test Clips, Holding Rod and Kit**



Model 72902-Color

## Micro SMD Grabber Test Clip

### Features

- Designed for easy attachment to SMD chips with pitches down to 0.008" (0.20 mm).
- Thin yet durable design permits attachment with close spacing in tight spaces.
- Insulated tip minimizes shorting on adjacent pins.
- Gold plating for low resistance connections.
- Easy attachment to standard test leads
- Holding rods available to reinforce connection positions during side-by-side measurements (order Pomona model number 72903)..

**Rating:** *hands free testing* in controlled environment: 70 Vrms max. For CE compliance: Not intended for hand-held use at voltages above 33Vrms/70Vdc

### Specifications

Current Max	Less than 5 mA
Max Voltage	33 V AC <70 V DC
Temperature	-20° C + 80° C
Max Resistance	Less than 200 mΩ

### Ordering Information

Model: 72902 Kit pictured above  
 Model: 72902-Color Grabber pictured on page 2  
 Available Colors: -0 (Black), -2 (red)

**USA:** Sales: 800-490-2361 Technical Support: 800-241-2060 Fax: 888-403-3360

**Europe:** 31-(0) 40 2675 150 **International:** 425-446-5500

e-mail: [technicalsupport@pomonatest.com](mailto:technicalsupport@pomonatest.com)

Where to Buy: [www.pomonaelectronics.com](http://www.pomonaelectronics.com)

All dimensions are in inches. Tolerances (except noted): .xx = ±.02" (.51 mm), .xxx = ±.005" (.127 mm). All specifications are to the latest revisions. Specifications are subject to change without notice. Registered trademarks are the property of their respective companies.

**Models 72902, 72902-0, 72902-2, 72903  
Micro SMD Grabber Test Clips, Holding Rod and Kit**



## Holding Rod For Micro SMD Grabber Test Clip

### Features

- Holding rods reinforce SMD Grabber (72902) connection positions during side-by-side measurements.

### Materials

- Black Polyamide

## Ordering Information

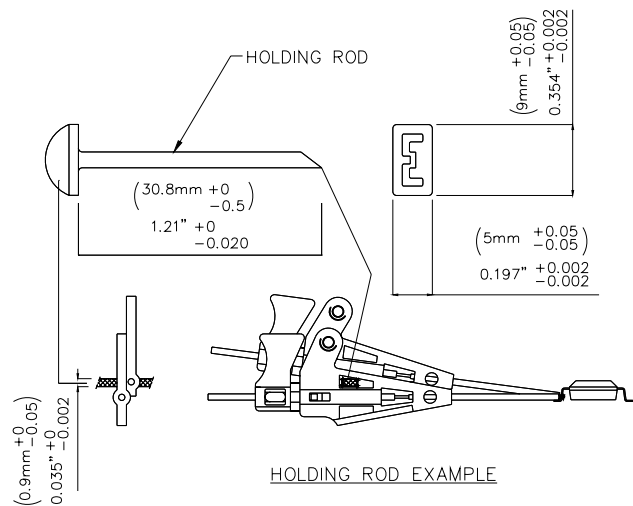
Model: 72903 Sold 10 per package.

**USA:** Sales: 800-490-2361 Technical Support: 800-241-2060 Fax: 888-403-3360

**Europe:** 31-(0) 40 2675 150 **International:** 425-446-5500

e-mail: [technicalsupport@pomonatest.com](mailto:technicalsupport@pomonatest.com)

Where to Buy: [www.pomonaelectronics.com](http://www.pomonaelectronics.com)



All dimensions are in inches. Tolerances (except noted): .xx = ±.02" (.51 mm), .xxx = ±.005" (.127 mm). All specifications are to the latest revisions. Specifications are subject to change without notice. Registered trademarks are the property of their respective companies.